

wisecard slim

Compact Versatile Card Printer

World's smallest card printer



300
DPI
Color

300 DPI color single side print

IC Card

Contact smart card reader

USB

High speed USB interface

RF Card

Contactless smart card reader

Wi-Fi

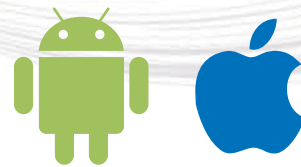
Wi-Fi or Bluetooth connection

MS Card

Magnetic strip read and write



Vertical installation for space saving



Convenient print with Android/iOS App



Preview image on LCD



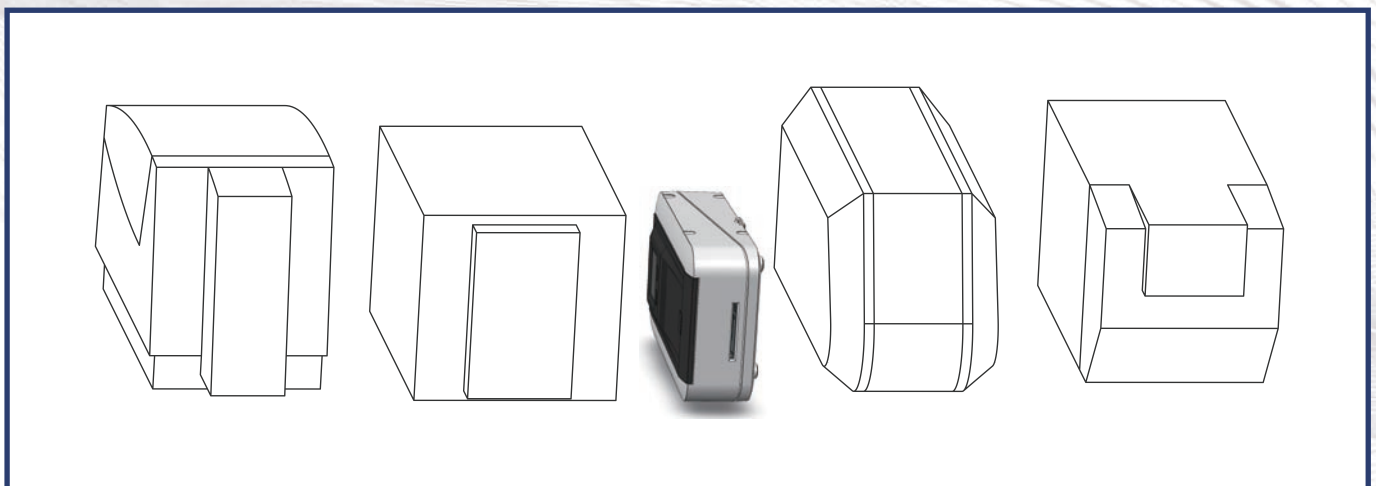
Provide card design program

wisecard slim

Compact Versatile Card Printer

Less than 30% of other printers

wisecard slim	157mm x 82mm x 236mm	3,038cc
Other A	165mm x 210mm x 390mm	13,513cc
Other B	192mm x 196mm x 292mm	10,988cc
Other C	205mm x 195mm x 315mm	12,592cc



Specifications

Direct dye-sublimation thermal card printer

300 DPI color single side print

Compact design for desktop and portable business

Color(YMCKO) 100 cards or Mono 500 cards ribbon

High speed USB interface

Options

Wi-Fi/Bluetooth Interface for mobile application

Magnetic stripe read and write (ISO7811)

Contact smart card reader (ISO7816)

Contactless smart card reader (ISO14443A)



Wi-Fi



USB



Color



IC Card

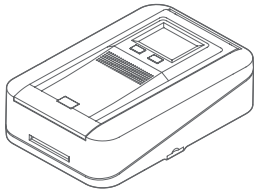


MS Card

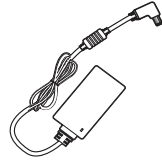


RF Card

Components



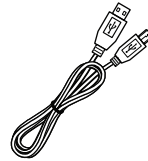
WiseCard Unit



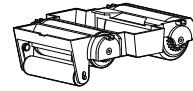
DC24V Adapter



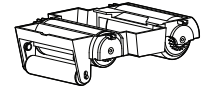
Power Cable



USB Cable



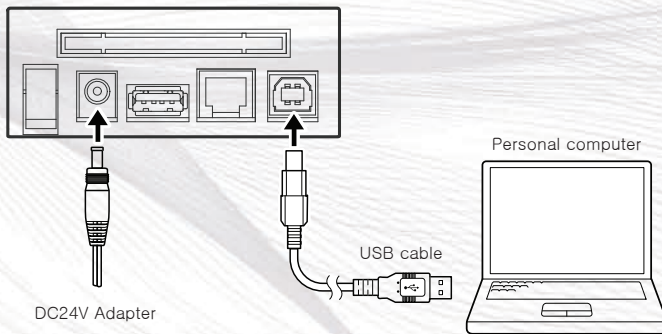
WRD-YMCKO-100
Color ribbon (option)



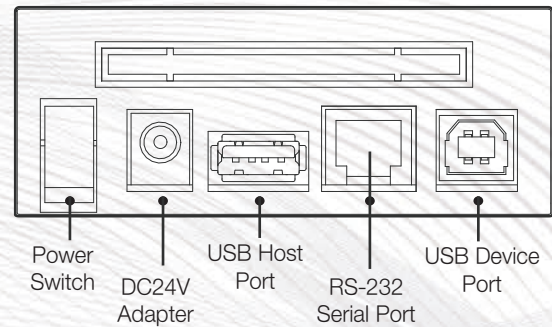
WRD-BLACK-500
Black ribbon (option)

Install

Connect the USB and power adapter

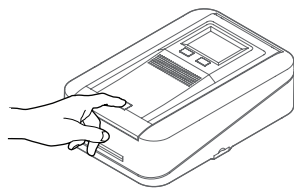


Rear ports of product

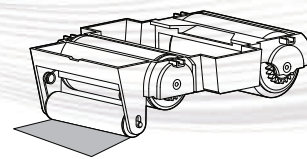


Install ribbon

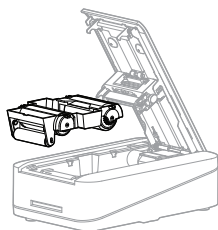
- 1 Press button at front-top to open the cover.



- 2 Remove the protective film from the ribbon.



- 3 Insert according to the direction as shown in picture.



- 4 When the cover is closed, it works to find correct position of ribbon with a beep sound.

